

## 3 MM CABLE

Our 3mm cable range is designed for use in heavy-duty display applications, where the flexibility and particular visual appeal of stainless steel cable is still required. As with 1.5mm cable, a very wide choice of anodised aluminium components is available from stock in silver, brass and stainless steel effect finishes.



**Kit for fixing between floor and ceiling**

Comprises: 19mm ø ceiling and floor fixings with 4M 3mm ø stainless cable and tensioner.  
Allen key and fixing screws supplied.

Code: **6300**  
Finishes: **SA/BA/STA**



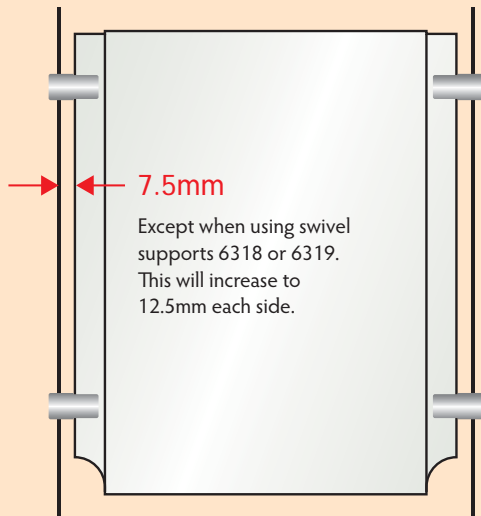
**Ceiling, floor or wall mounted kit**

Comprises: 40mm ø top and bottom rose with 4M 3mm ø stainless cable and tensioner.  
Allen key and fixing screws supplied.

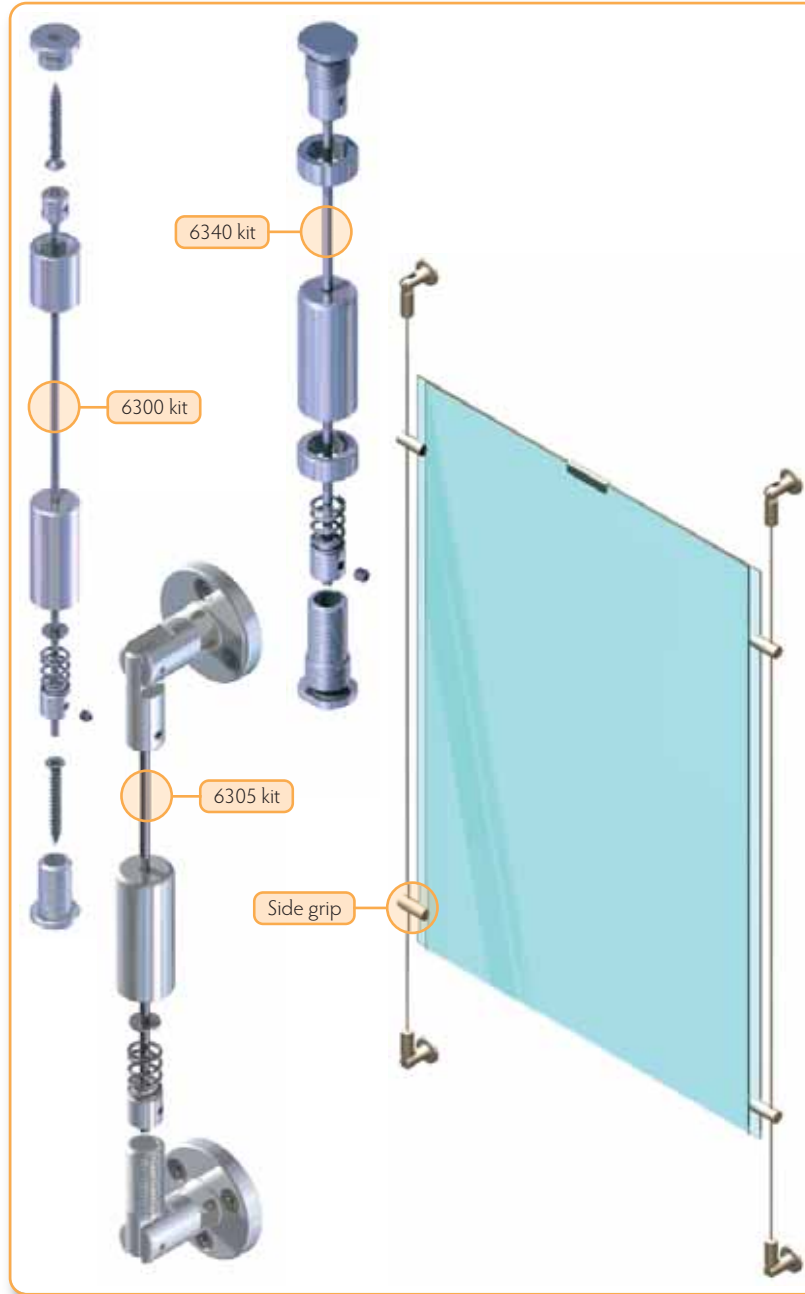
Code: **6305**  
Finishes: **SA/BA/STA**



**INSTALLATION TIP**



When using 3mm cable, the distance between the cable centre and the edge of the panel should be 7.5mm.



**Track mounted cable kit**

Comprises: 19mm ø top and bottom slide track fixings with 4M 3mm ø stainless cable and tensioner.  
Allen key supplied.

Code: **6340**  
Finishes: **SA/STA**



**Side grip**

For up to 6mm panel.

Code: **6366**  
Size: **19mm ø**  
Finishes: **SA/BA/STA**



**Twin side grip**

For up to 6mm panel.

Code: **6368**  
Size: **19mm ø**  
Finishes: **SA/BA/STA**



**Swivel side grip**

For up to 6mm panel.

Code: **6318**  
Size: **19mm ø**  
Finishes: **SA/BA/STA**



**Twin swivel side grip**

For up to 6mm panel.

Code: **6319**  
Size: **19mm ø**  
Finishes: **SA/BA/STA**



When ordering, insert a forward slash after the code, followed by the finish code. e.g. 6011/SA.

**Silver anodised**  
Finish code **SA**



**Brass anodised**  
Finish code **BA**



**Stainless anodised**  
Finish code **STA**



### Shelf support

Shelf requires a 9mm ø hole.

Code: **6307**  
Size: **19mm ø**  
Finishes: **SA/BA/STA**



### Shelf grip

For up to 6mm thickness.  
Supplied with nylon tipped grub screw.

Code: **6310**  
Size: **19mm ø**  
Finishes: **SA/BA/STA**



### Twin shelf grip

For up to 6mm thickness.  
Supplied with nylon tipped grub screws.

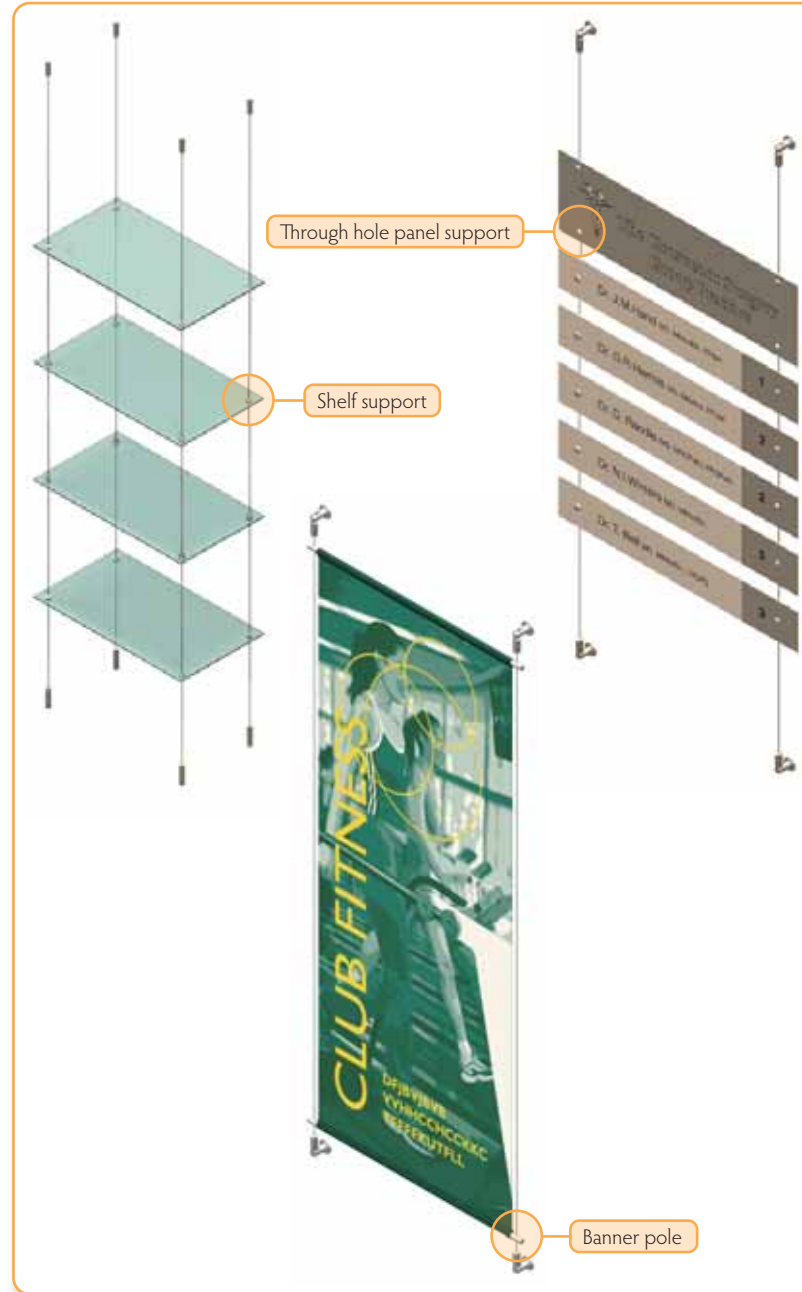
Code: **6312**  
Size: **19mm ø**  
Finishes: **SA/BA/STA**



### Cable frame support

Requires AK5 allen key

Code: **6316**  
Size: **19mm ø**  
Finishes: **SA/BA/STA**



### Through hole panel support

For 3mm to 10mm panel thickness.  
Panels require 12mm ø holes.

Code: **6379**  
Size: **19mm ø**  
Finishes: **SA/BA/STA**



### Twin through hole panel support

For 3mm to 10mm panel thickness.  
Panels require 12mm ø holes.

Code: **6378**  
Size: **19mm ø**  
Finishes: **SA/STA**



### Banner pole

Includes two end supports and 15mm ø aluminium tube. Up to 1M long. Sizes over 1M P.O.A.

Code: **6320**  
Size: **15mm ø**  
Finishes: **SA/STA**



### Hanging rail

Includes two end caps and universal grips.  
Up to 1250mm long.

Code: **6013**  
Size: **25mm ø**  
Finishes: **Chrome plated/stainless steel**



When ordering, insert a forward slash after the code, followed by the finish code. e.g. 6011/SA.

**Silver anodised**  
Finish code **SA**



**Brass anodised**  
Finish code **BA**



**Stainless anodised**  
Finish code **STA**

