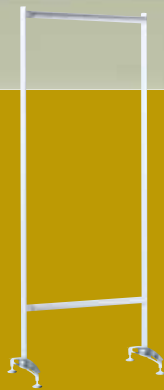


## FREESTANDERS

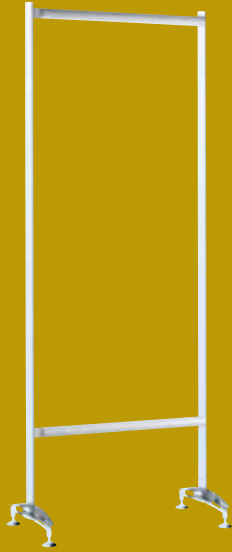
Freestanders extends the benefits of our cable and rod display systems by adding a strong, but lightweight, aluminium framework that can be used freestanding or fixed to a wall. Its eye-catching elliptical profiles have been designed to combine strong aesthetic appeal with a versatile display capability that is also exceptionally price competitive. Users can choose the shelves, pockets, holders, dispensers and lighting required to complete their display from the extensive range shown in this guide.



**Single bay freestanding frame**

Supplied with freestanding feet.

Part no.	Internal width	Overall height
E4101	550mm	2050mm
E4102	700mm	2050mm
E4103	850mm	2050mm
E4104	1000mm	2050mm
E4105	1250mm	2050mm
E4106	1500mm	2050mm



**Freestanding extension bay**

Supplied with freestanding foot.

Part no.	Internal width	Overall height
E4107	550mm	2050mm
E4108	700mm	2050mm
E4109	850mm	2050mm
E4110	1000mm	2050mm
E4111	1250mm	2050mm
E4112	1500mm	2050mm



\* See 1.5mm cable range  
\*\* See acrylic fabrication

**Freestanding foot with castors**

Part No. E4702



**Freestanding flat base**

Part No. E4703



**Freestanding adjustable foot**

Part No. E4701



**Adjustable foot**

Part No. E4023



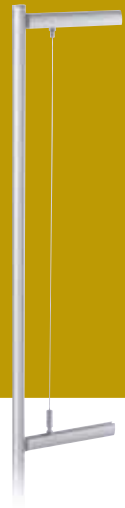
**Foot (for use with lighting)**

Part No. E4005



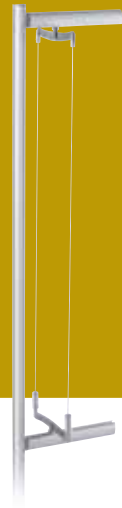
**1.5mm cable track kit**

Part No: 6040/SA



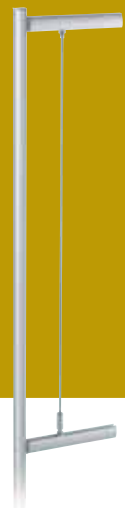
**1.5mm cable shelf kit**

Part No: E4401



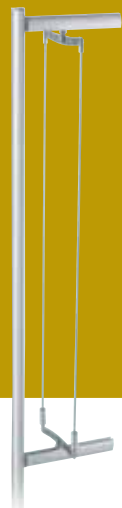
**6.0mm rod track kit**

Part No: E4406



**6.0mm rod shelf kit**

Part No: E4402



**Freestanding Unipost**

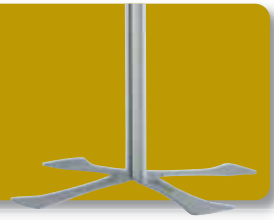
4 prong

Part No. E4301

Oval

Part No. E4302

Overall height 2M.



**Four prong base for freestanding Unipost**

Part No. E4006



**Oval base for freestanding Unipost**

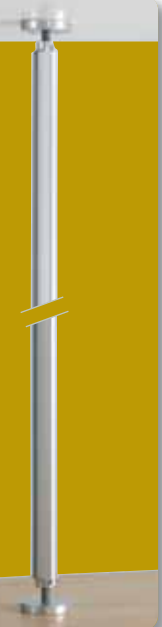
Part No. E4007



**Floor to ceiling upright kit complete**

Part No. E4015

3M length of vertical extrusion complete with adjustable foot top and bottom.



**Vertical extrusion**

Part No. E4710 (6000mm)  
Part No. E4705 (3000mm)



**Joint assembly – upright to cross rail (pair)**

Part No. E4800



**Direct fix panel grip**

Part No: E4040  
For up to 8mm panel thickness.



**Wall extensions**

Part No. E4019 (75mm)  
Part No. E4003 (200mm)



**Cross rail extrusion**

Part No. E4720 (6000mm)  
Part No. E4715 (3000mm)



**Vertical extrusion clamp**

Part No: E4016  
19mm ø button.  
Panels will require 6mm ø holes.



**Direct fix shelf kit (pair)**

Part No: E4501  
For up to 8mm panel thickness.



**12V lighting 300mm arm**

Part No. E4601



**Plastic end cap for vertical extrusion**

Part No. E4022



**Transformer housing**

Part No. E4602

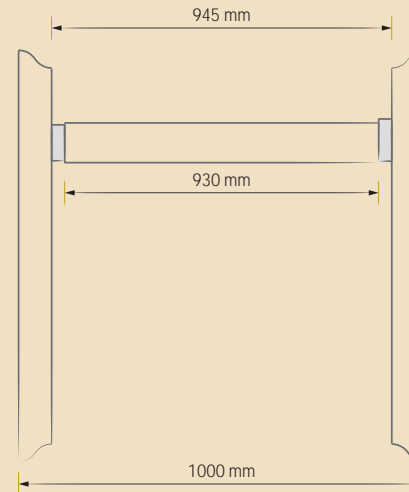


**Powder coated option**

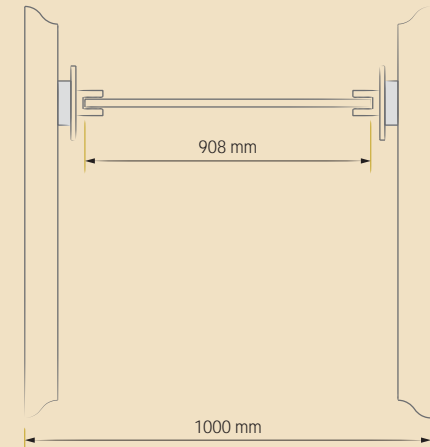
Wide range of RAL and BS colour options available.



**COMPONENT CUTTING GUIDES**



Cutting guide for horizontal extrusion bar for non-standard sized frames



Cutting guide for shelves using direct shelf kit