

10MM ROD

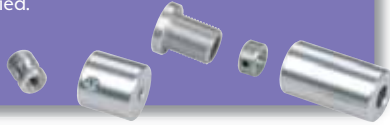
Systems utilising 10mm stainless steel rod benefit from exceptional strength and rigidity, while at the same time making a bold aesthetic statement. Since its introduction, our 10mm rod range has won many plaudits from architects and designers, who have recognised the many and varied creative opportunities that it opens up. In this instance, components with a choice of silver and stainless steel effect finishes are available from stock.



Kit for fixing between floor and ceiling

Comprises: 25mm ø top and bottom fixings. Allen key and fixing screws supplied.

Code: **3000**
Finishes: **SA/STA**



Heavy duty ceiling fixing

Includes fixing screws.

Code: **3003**
Size: **50mm ø**
Finishes: **SA/STA**



Ceiling fixing/top boss

Includes universal grip and fixing screw.

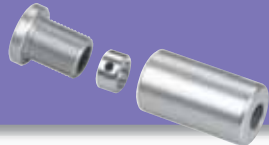
Code: **3002**
Size: **25mm ø**
Finishes: **SA/STA**



Floor fixing /anchor sleeve and collar

Includes fixing screw.

Code: **3001**
Size: **25mm ø**
Finishes: **SA/STA**



Wall mount rod holder

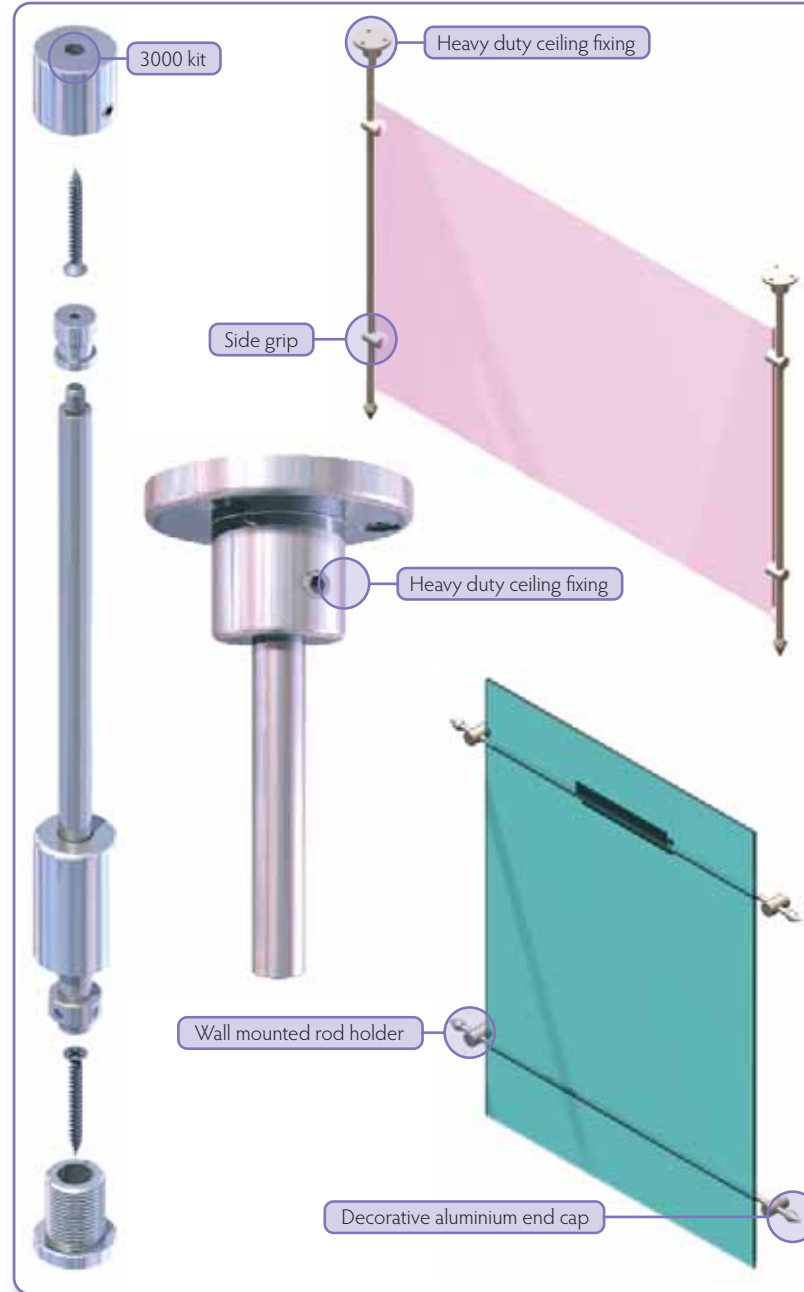
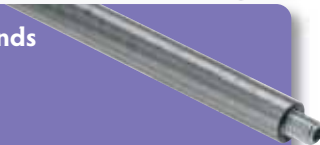
Code: **3522**
Size: **25mm ø**
Finishes: **SA/STA**



Rod with threaded ends

Rod length 1M.

Code: **3500**
Size: **10mm ø**
Finishes: **Stainless steel**



Side grip

For up to 6mm panel thickness.

Code: **3066**
Size: **19mm ø**
Finishes: **SA/STA**



Side grip

For up to 10mm panel thickness.

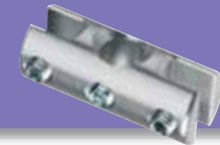
Code: **3086**
Size: **19mm ø**
Finishes: **SA/STA**



Twin side grip

For up to 6mm panel thickness.

Code: **3068**
Size: **19mm ø**
Finishes: **SA/STA**



Decorative aluminium end cap

Code: **3504**
Size: **19mm ø**
Finishes: **SA/STA**



Rubber end cap

For 10mm rod.

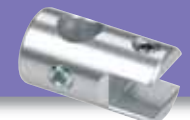
Code: **3505**
Size: **For 10mm rod**
Finishes: **Grey**



Shelf grip

For up to 8mm panel thickness. Supplied with nylon tipped grub screw.

Code: **3010**
Size: **19mm ø**
Finishes: **SA/STA**



When ordering, insert a forward slash after the code, followed by the finish code. e.g. 6011/SA.

Silver anodised
Finish code **SA**



Stainless anodised
Finish code **STA**



Twin shelf grip

For up to 8mm panel thickness.
Supplied with nylon tipped grub screw.

Code: 3021
Size: 19mm ϕ
Finishes: SA/STA



Rod frame support

Code: 3022
Size: 19mm ϕ
Finishes: SA/STA



Support for 10mm horizontal rod between vertical rods

Code: 3076
Size: 19mm ϕ
Finishes: SA/STA



Crossover support

For 10mm horizontal and vertical rod.

Code: 3077
Size: 19mm ϕ
Finishes: SA/STA



Through hole panel support

For 3-10mm panel thickness. Panels require a 12mm ϕ hole.

Code: 3525
Size: 19mm ϕ
Finishes: SA/STA



Twin support

For 3-10mm panel thickness. Panels require a 12mm ϕ hole.

Code: 3528
Size: 19mm ϕ
Finishes: SA/STA



Top grip support

For up to 6mm panel thickness.

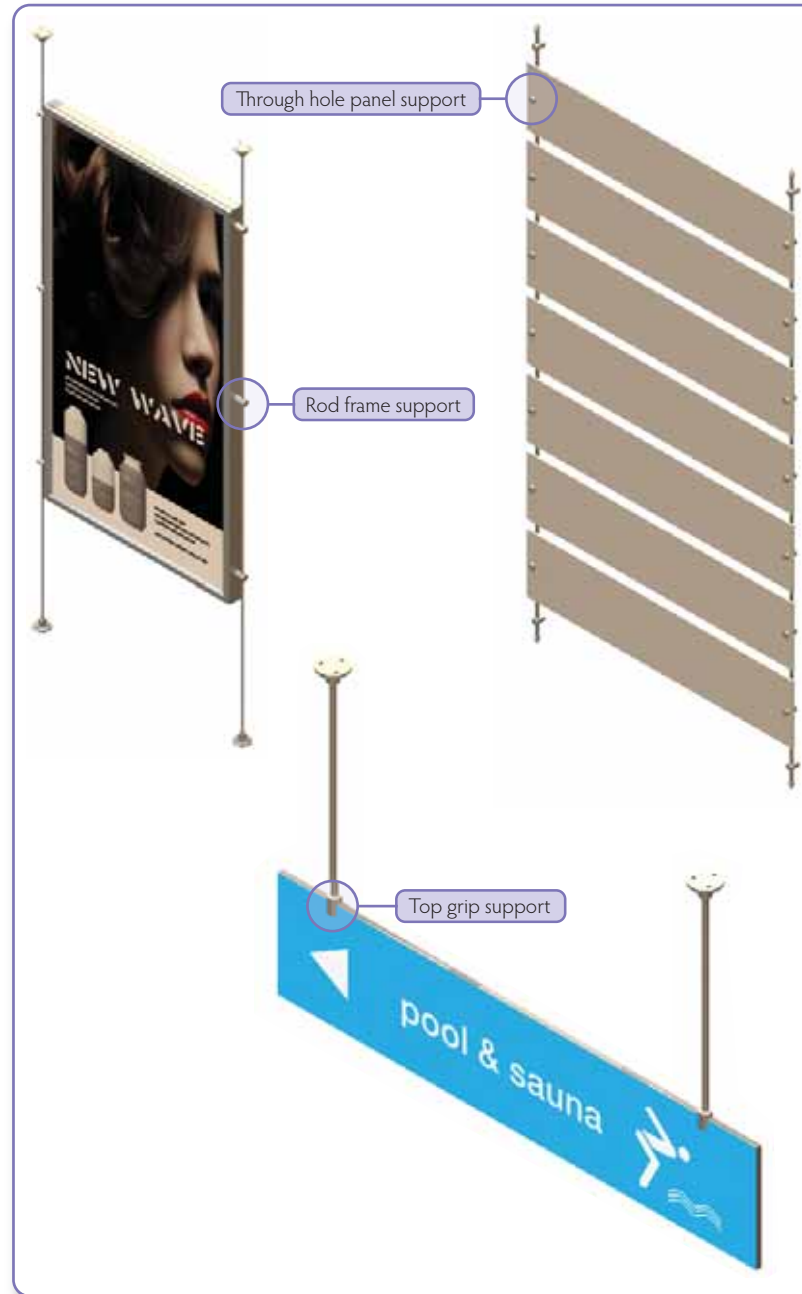
Code: 3004
Size: 19mm ϕ
Finishes: SA/STA



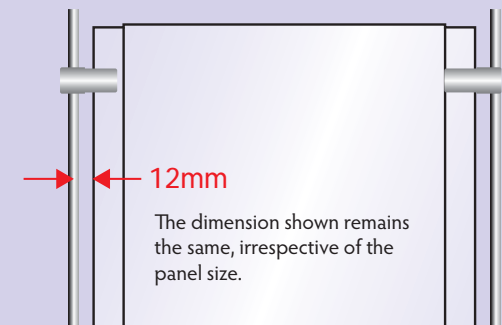
Banner pole

Includes two end supports and 19mm ϕ aluminium tube. Up to 1M long. For sizes over 1M P.O.A.

Code: 3020
Size: 19mm ϕ
Finishes: SA/STA



INSTALLATION TIP



When using 10mm rod, the distance between the rod centre and the edge of the panel should be 12mm each side.

When ordering, insert a forward slash after the code, followed by the finish code. e.g. 6011/SA.

Silver anodised
Finish code SA



Stainless anodised
Finish code STA



6mm rod accessories

Rod collar

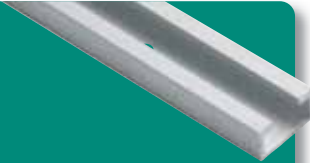
Code: 4000/1
Size: 10mm \varnothing
Finishes: SV



10mm rod accessories

Ceiling and floor track

Cut to size.
Available in up to 3M lengths.
Code: 6014
Size: 11.5mm x 20mm
Finishes: SA



Rubber end cap

Code: 4505
Finishes: Black



Allen key

For use with all 10mm rod components.
Code: AK3



Ceiling shield

For use with suspended ceilings.

Code: 6516
Size: 19mm \varnothing
Finishes: SA/BA/STA



Allen key

For use with all 6mm rod components.
Code: AK2



Grub screws

Code: GS6-6ZP Size: M6 x 6
Code: GS6-8ZP Size: M6 x 8
Finishes: Silver



Top boss

Code: 6000/3
Size: 19mm \varnothing
Finishes: SV/BR/STA



Grub screws

Code: GS4-4ZP Size: M4 x 4
Code: GS4-5ZP Size: M4 x 5
Code: GS4-6ZP Size: M4 x 6
Finishes: Silver



Nylon tipped grub screws

For use with glass shelves
Code: GS6-6NTZP
Size: M6 x 6
Finishes: Silver



Top universal rod grip

Code: 4000/2
Size: 10mm \varnothing
Finishes: SV



“ We are very pleased with the services provided by the team.
They produced a fantastic result and come highly recommended ”.

(MRM Worldwide)

When ordering, insert a forward slash after the code, followed by the finish code. e.g. 6011/SA.

Silver anodised 
Finish code SA/SV

Brass anodised 
Finish code BA/BR

Stainless anodised 
Finish code STA